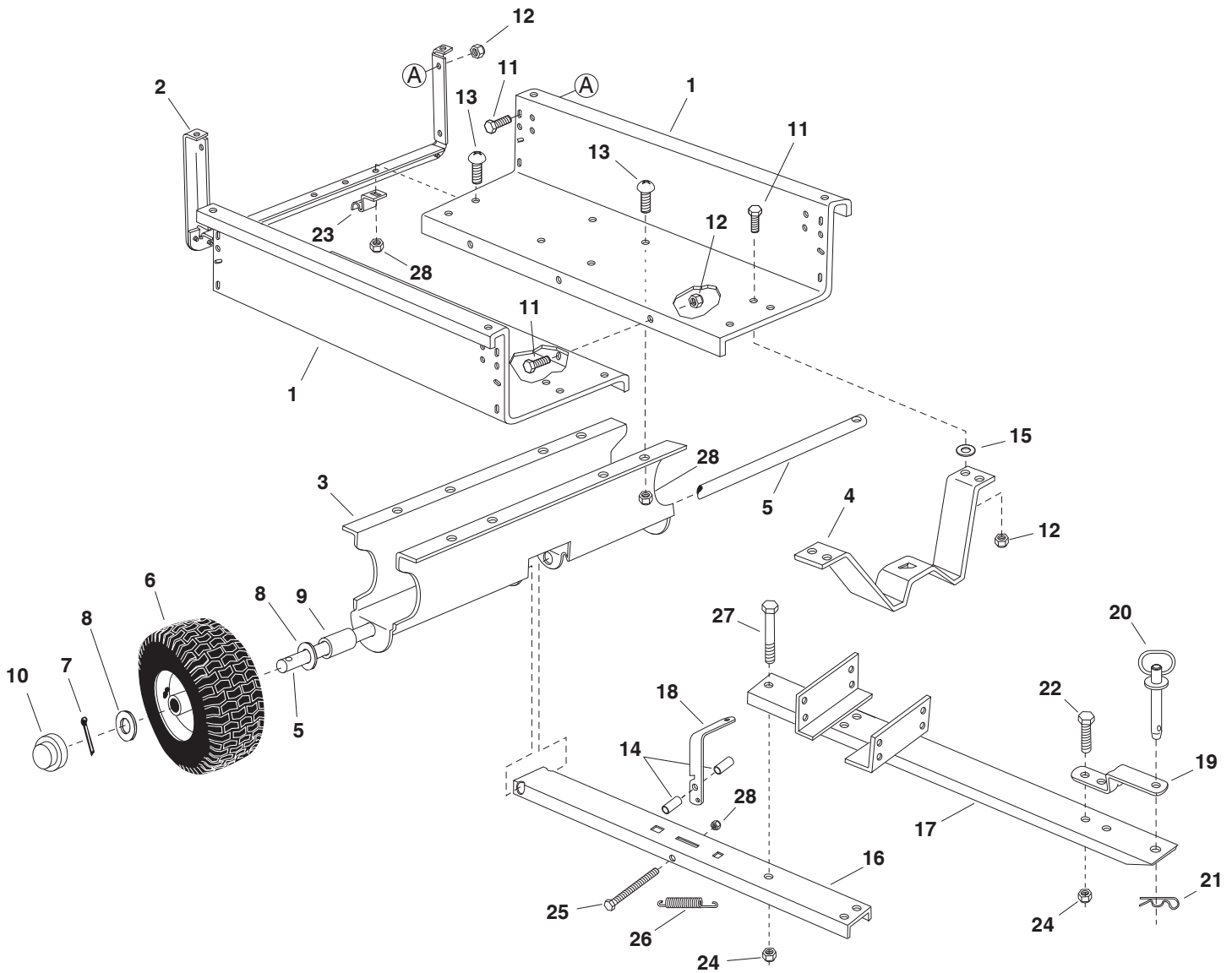


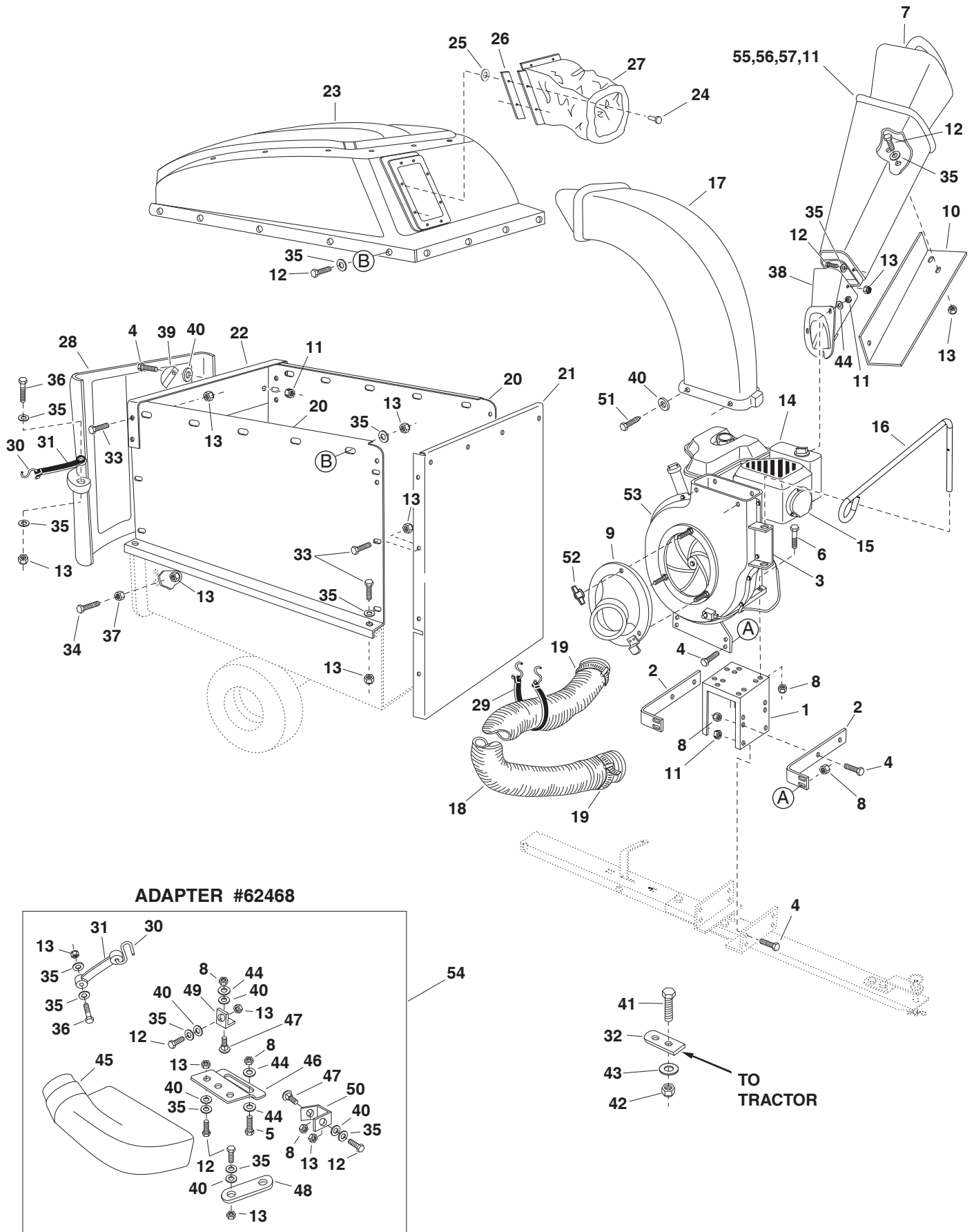
PARTS

REPAIR PARTS FOR MODEL 502493, 502494, 552493, 552494 CART BODY



REF.	PART NO.	QTY	DESCRIPTION	REF.	PART NO.	QTY	DESCRIPTION
1	23985	2	Cart Body	15	43088	2	Washer, Flat 1/4"
2	62458	1	Tailgate Reinforcement Bracket	16	63917	1	Tongue Weldment Assembly (Rear)
3	23507	1	Wheel Support	17	63155	1	Tongue Weldment Assembly (Front)
4	24497	1	Latch Stand Bracket	18	24614	1	Latch Lock Lever
5	24897	1	Wheel Axle, 1" Diameter	19	23475	1	Hitch Bracket
6	42159	2	Wheel w/Tire, 15 x 6.00	20	43884	1	Hitch Pin
7	43093	2	Cotter Pin, 1/8 x 1-1/2"	21	43343	1	Hair Cotter Pin, 1/8"
8	43601	4	Washer, Flat 1"	22	43087	2	Hex Bolt, 3/8-16 x 1-1/4"
9	44678	2	Spacer Tube, 1-1/4" x 2"	23	23838	2	Door Support
10	43014	2	Hub Cap	24	HA21362	5	Nylock Nut, 3/8"
11	43866	9	Hex Bolt, 1/4-20 x 5/8"	25	47407	1	Hex Bolt, 5/16-18 x 3-3/4"
12	47189	9	Nylock Nut, 1/4-20	26	47408	1	Extension Spring
13	43814	12	Truss Head Bolt, 5/16-18 x 3/4"	27	43574	3	Hex Bolt, 3/8-16 x 3"
14	41076	2	Spacer	28	47810	13	Nylock Nut, 5/16"

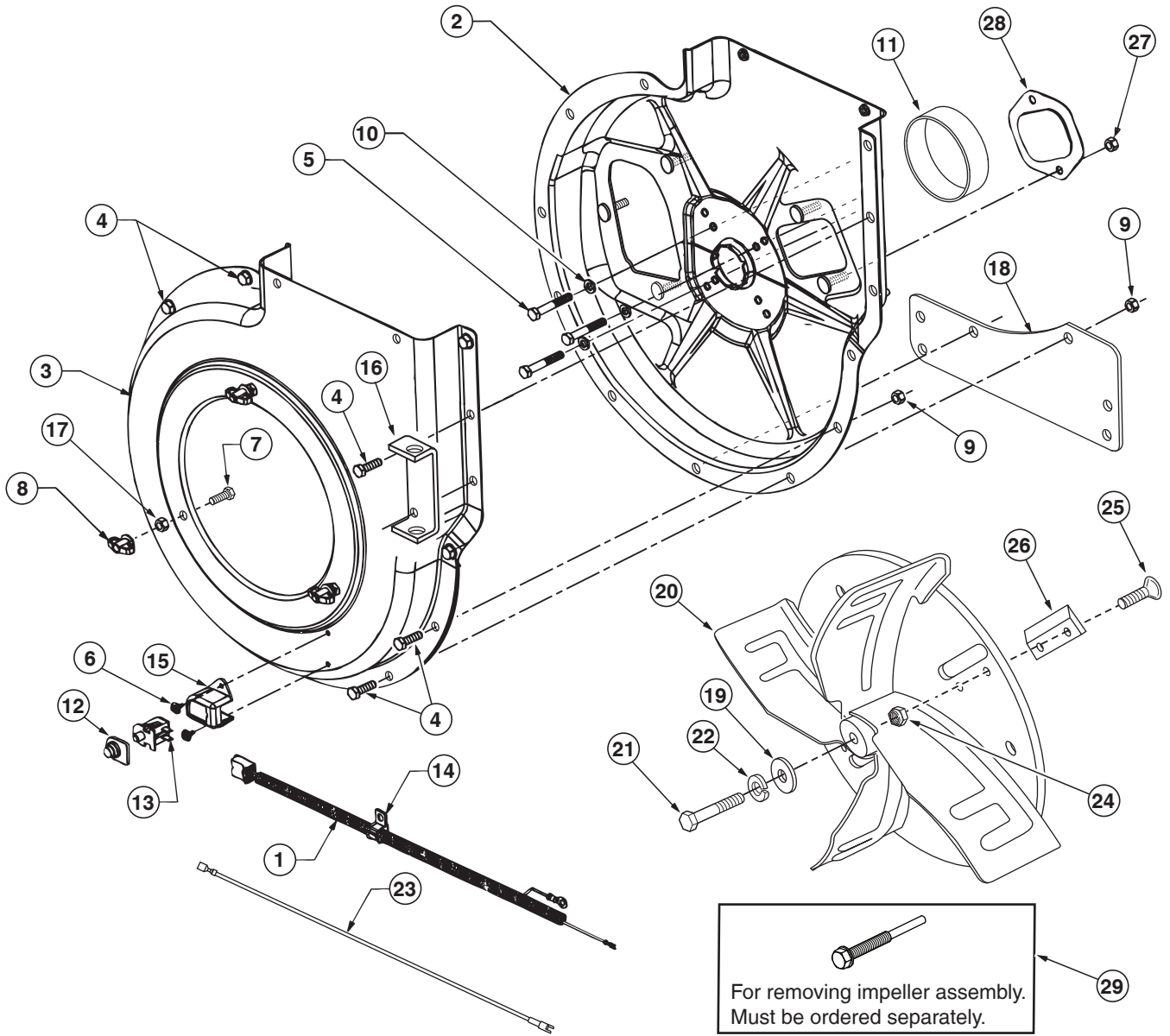
REPAIR PARTS FOR MODEL 502493, 502494, 552493, 552494 CHIP-N-VAC



REPAIR PARTS FOR MODEL 502493, 502494, 552493, 552494 CHIP-N-VAC

REF.	PART NO.	QTY	DESCRIPTION	REF.	PART NO.	QTY	DESCRIPTION
1	24080	1	Engine Base	30	44849	4	"S" Hook, #32
2	24078	2	Housing Brace	31	44850	4	Tarp Strap (Less Hooks)
3	24958	1	Hose Hanger Bracket	32	23540	1	Hitch Plate
4	43182	14	Hex Bolt, 5/16-18 x 3/4"	33	43866	20	Hex Bolt, 1/4-20 x 5/8"
5	43840	2	Hex Bolt, 5/16-18 x 1-1/4"	34	43661	6	Hex Bolt, 1/4-20 x 1"
6	43085	4	Hex Bolt, 5/16-18 x 1-1/2"	35	43088	47	Washer, 1/4"
7	731-1617	1	Tamper Plug	36	1509-90	5	Hex Bolt, 1/4-20 x 1-1/4"
8	47810	15	Nylock Nut, 5/16"	37	47189	2	Nylock Nut, 1/4-20
9	43791	1	Hose Adapter (Nozzle)	38	681-0068	1	Chute Assembly
10	24098	1	Chute Reinforcement Bracket	39	23789	2	Door Latch
11	47810	9	Nylock Nut, 5/16"	40	1543-69	9	Nylon Washer, 21/64"
12	43012	19	Hex Bolt, 1/4-20 x 3/4"	41	43351	1	Hex Bolt, 1/2-13 x 1-1/4"
13	47189	46	Nylock Nut, 1/4-20	42	712-3083	1	Nylock Nut, 1/2-13
14	40995	1	Engine, Briggs	43	43352	1	Flat Washer, 7/16"
15	24097	1	Muffler Deflector	44	43081	15	5/16" Washer
16	49974	1	Hose Hanger Rod	45	43830	1	Deck Adapter
17	46420	1	Elbow	46	23560	1	Deck Adapter Bracket
18	41882	1	Hose (6" x 84")	47	43080	2	Carriage Bolt, 5/16 x 3/4"
19	43793	2	Hose Clamp 6"	48	23825	1	Mounting Strap
20	24678	2	Side Panel Cart Extension	49	23826	1	Angle Bracket
21	24679	1	Front Panel Cart Extension	50	23827	1	Mounting Bracket
22	23836	1	Cross Brace	51	47630	4	Self Tap Screw, 5/16 x 3/4"
23	64244	1	Hard Top Assembly (24,25,26,27)	52	712-0421	3	Knob (Item #8, Page 24)
24	43882	4	Rivet, 3/16"	53		1	Impeller Housing (See page 24)
25	43910	4	Flat Washer, 3/16"	54	62468	1	Deck Adapter Kit (all parts in box)
26	24798	4	Boot Mounting Strap	55	63376	1	Chipper Chute Assembly (Upper)
27	48133	1	Vinyl Boot (Hardtop)	56	735-0249	1	Chute Flap (included in item 55)
28	44790	1	Poly Rear Door	57	781-0633	1	Flap Strap (included in item 55)
29	43790	1	Tarp Strap, 25"		41184	1	Owner's Manual

REPAIR PARTS FOR MODEL 502493, 502494, 552493, 552494 CHIP-N-VAC IMPELLER HOUSING ASSEMBLY



REF.	PART NO.	QTY	DESCRIPTION	REF.	PART NO.	QTY	DESCRIPTION
1	629-0241A	1	Wire Harness	16	24958	1	Hose Hanger Bracket
2	63993	1	Inner Housing Assembly	17	46584	3	Whizlock Nut, 5/16"
3	24633	1	Outer Housing Assembly	18	24606	1	Housing Spacer
4	43182	12	Hex Bolt, 5/16-18 x 3/4"	19	736-0247	1	Flat Washer, 13/32" x 1-1/4"
5	710-0772	4	Hex Bolt, 5/16-24 x 2"	20	66791	1	Impeller Assembly
6	710-1268	2	Self Tap Screw, #10-16 x 3/8"	21	710-1273	1	Hex Bolt, 3/8-24 x 2-3/4"
7	43063	3	Hex Bolt, 5/16-18 x 1"	22	43003	1	Lockwasher, 3/8"
8	712-0421	3	Knob	23	629-0923	1	Harness Adapter
9	47810	12	Nylock Nut, 5/16"	24	44738	4	Lock Nut, 5/16-24 (Unitork)
10	43086	4	Lock Washer, 5/16" (Spring Type)	25	710-1054	4	Flat Screw, 5/16-24 x 1"
11	719-0330B	1	Mounting Adapter	26	742-0544	2	Chipper Blade
12	725-1700	1	Switch Cover	27	47810	2	Nylock Nut, 5/16"
13	725-3166	1	Snap Mount Switch	28	781-0627	1	Chipper Cover
14	726-0272	1	Clamp	29	42294	1	Impeller Service Tool
15	731-1613	1	Switch Cover				